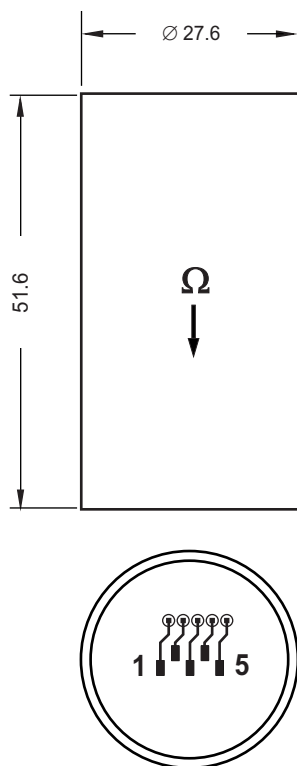


OUTLINE DRAWING



MAIN PARAMETERS (typical values)

- ◆ Rate range 300 deg/s
- Scale Factor (SF) 6.6 mV/deg/s
- Frequency range 0... 1 kHz
- Angle random walk 0.04 deg / \sqrt{h}
- Bias stability, RMS 4 deg / h
- SF stability, RMS 0.1 %
- Readiness time 0.02 s

ENVIRONMENT

- Temperature operating -40°C ... +70°C
- endurance (2 hours) -55°C... +85°C
- Vibration, RMS 12 g, 20Hz... 2000Hz
- Shocks 150 g, 1 ms
- Acceleration 5 g

◆◆ RELIABILITY

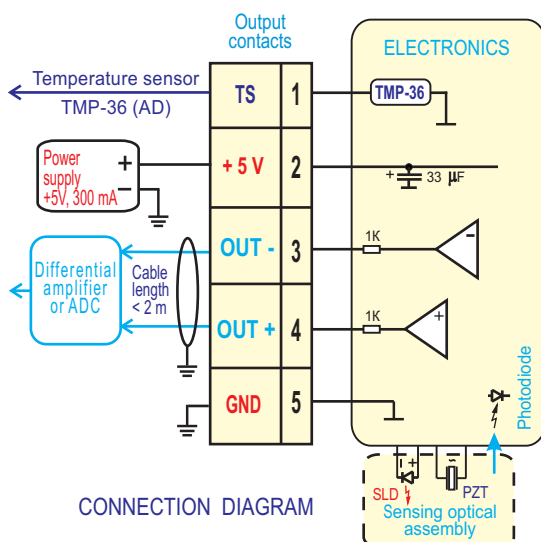
- MTBF 60000 hours (20°C, predicted)
- Lifetime (predicted) 15 years

- ◆ Precision class - ④
- ◆◆ Estimated for low humidity

DESCRIPTION OF OUTPUT CONTACTS

| Contact | Name | Comments |
|---------|-------|--|
| 1 | TS | Output of temperature sensor (TMP-36) 10mv per deg.C; 0.75V at 25 deg.C |
| 2 | + 5 V | Power input + 5V ± 0.25V, 200mA max, ripple 10mV max within 0-1MHz |
| 3 | OUT - | Analog output (~ - 3.3 mV/°/s), 1V biased to "GND" * |
| 4 | OUT + | Analog output (~ + 3.3 mV/°/s), 1V biased to "GND" * |
| 5 | GND | Power return line, ground. |

* - sensor's output is a difference between the voltages at 4 and 3 contacts



CONNECTION DIAGRAM

PHYSICAL PARAMETERS

1. Ω - sensing axis
2. Dissipation - 1 W
3. Weight - 30 gram (40 gram max)
4. Volume - 0.03 litre
5. Housing material - aluminum alloy
6. Housing protection - anodizing
7. Tolerances per ISO 2768-m
8. Ingress protection class - IP67

RECOMMENDATIONS AND PRECAUTIONS

1. Do not deform housing
2. Fragile components inside - no shocks, no drop
3. Treat as electrostatic sensitive unit
4. Is designed to be mounted inside water protected equipment
5. Increased humidity shortens essentially lifetime
6. Mounting surface must be grounded
7. Power must be off during connecting
8. Soldering to contacts - by low-temperature solder
9. Mount by glueing or by clamping along cylinder axis (force - < 1kg)